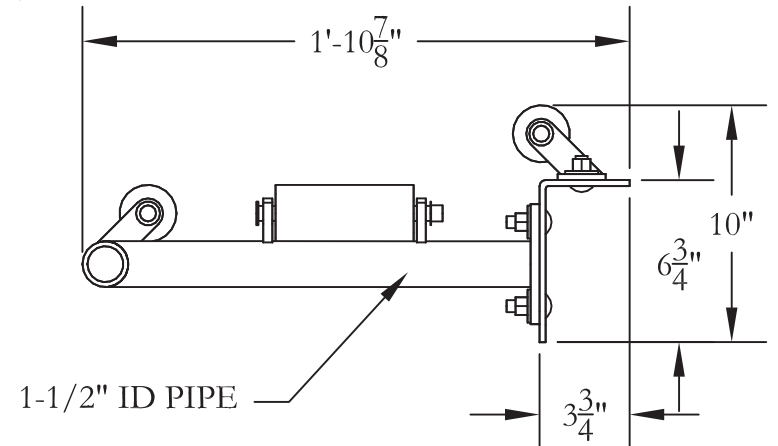
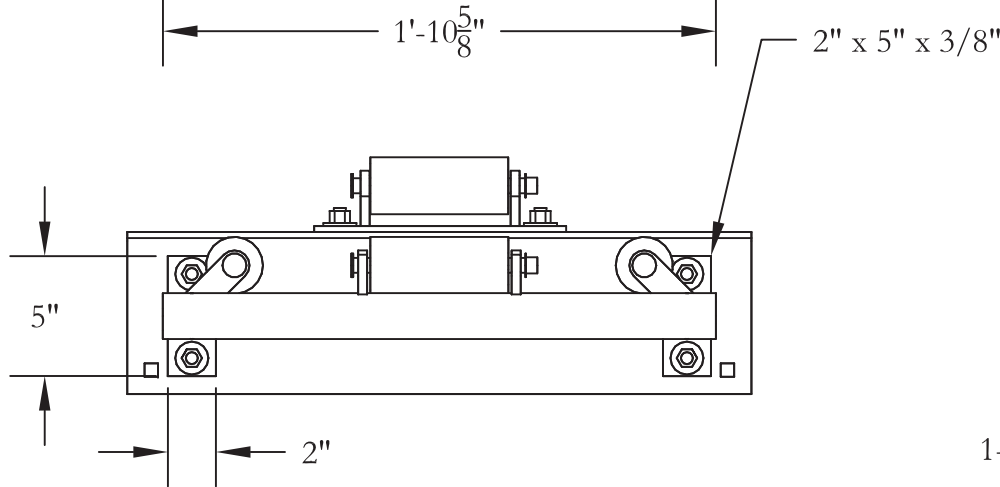
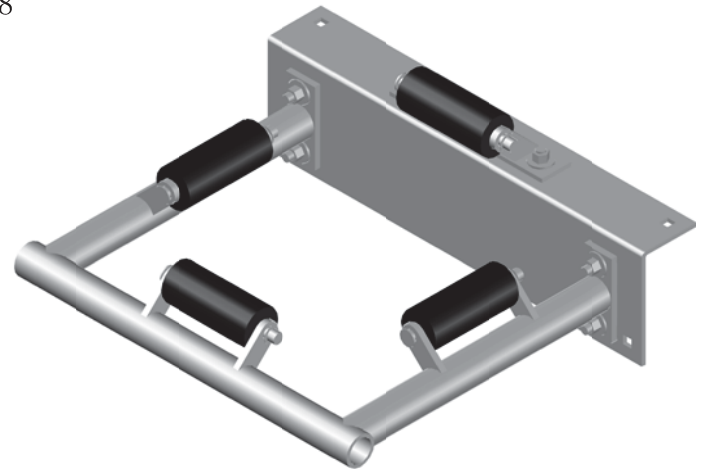
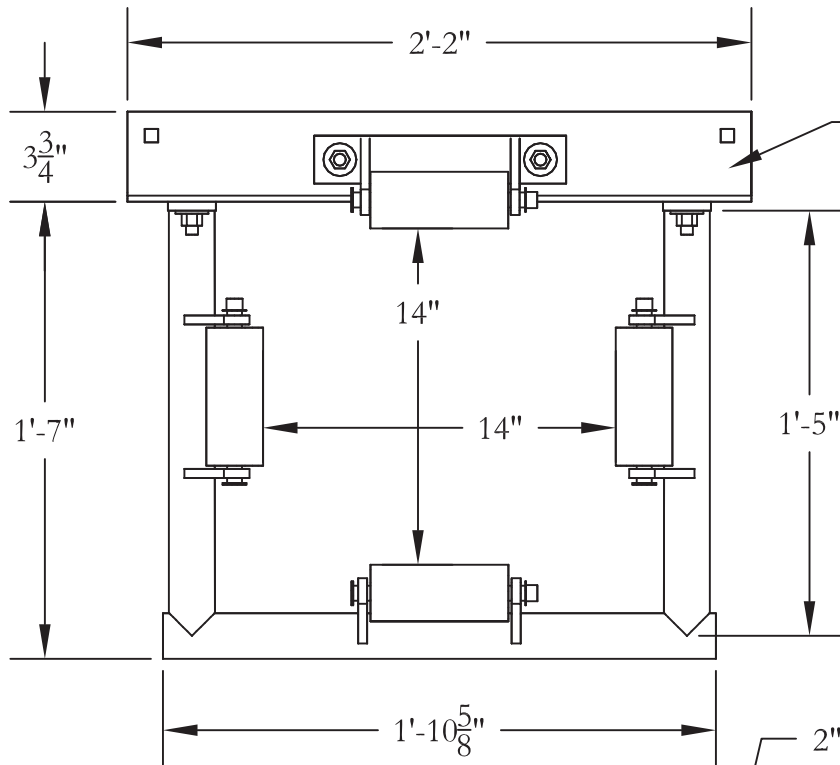


RECOMMENDED USAGE NOT TO EXCEED  
SQUARE OR ROUND PILING LARGER THAN 12"



VISIT US ON THE WEB AT [WWW.MERCOMARINE.COM](http://WWW.MERCOMARINE.COM)

ALL DRAWINGS AND DETAILS ARE PROPERTY OF MERCO MARINE DO NOT COPY

MERCO MARINE  
60 MERCO ROAD  
WELLSBURG, WV 26070  
PHONE: (800)396-3726  
FAX: (304)737-3008



TITLE:	HP-14EX 14" SQUARE	SCALE:	1-1/2" = 1'-0"
DATE:	5/25/2010 11:31 AM	DRAWN BY:	DAN OTTO
		APRVD BY:	J. MERIWETHER