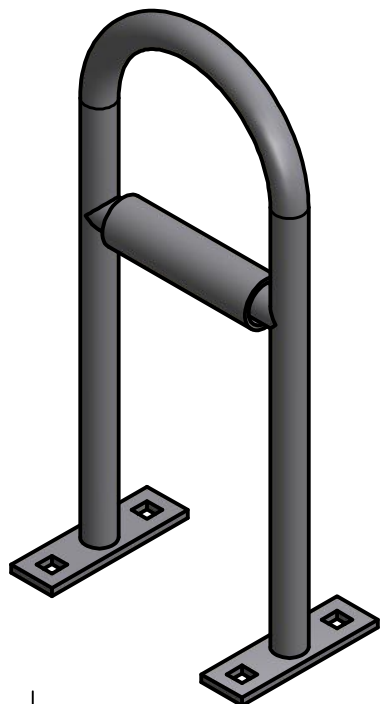
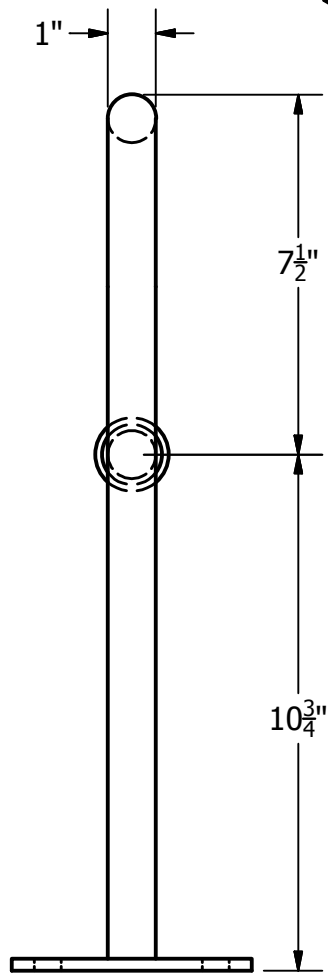
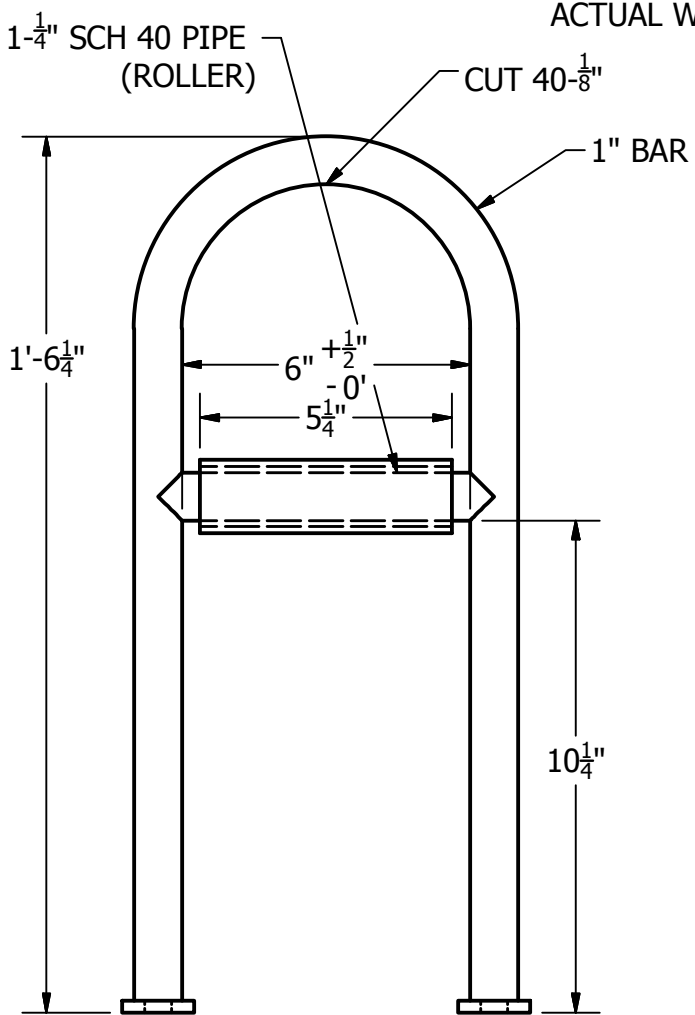


MATERIAL LIST	
MATERIAL	LBS
Steel, Mild	10.98
Steel, Mild	.49
Steel, Mild	.49



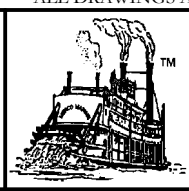
ACTUAL WEIGHT MAY VARY



VISIT US ON THE WEB AT [WWW.MERCOMARINE.COM](http://WWW.MERCOMARINE.COM)

ALL DRAWINGS AND DETAILS ARE PROPERTY OF MERCO INC. DO NOT COPY

**MERCO MARINE**  
 60 MERCO ROAD  
 WELLSBURG, WV 26070  
 PHONE: (800)396-3726  
 FAX: (304)737-3008



TITLE:	HP-BR610.idw
DATE:	Nov-13-14 9:04am

SCALE:	3" = 1'-0"
DRAWN BY:	D .OTTO
APRVD BY:	J. MERIWETHER