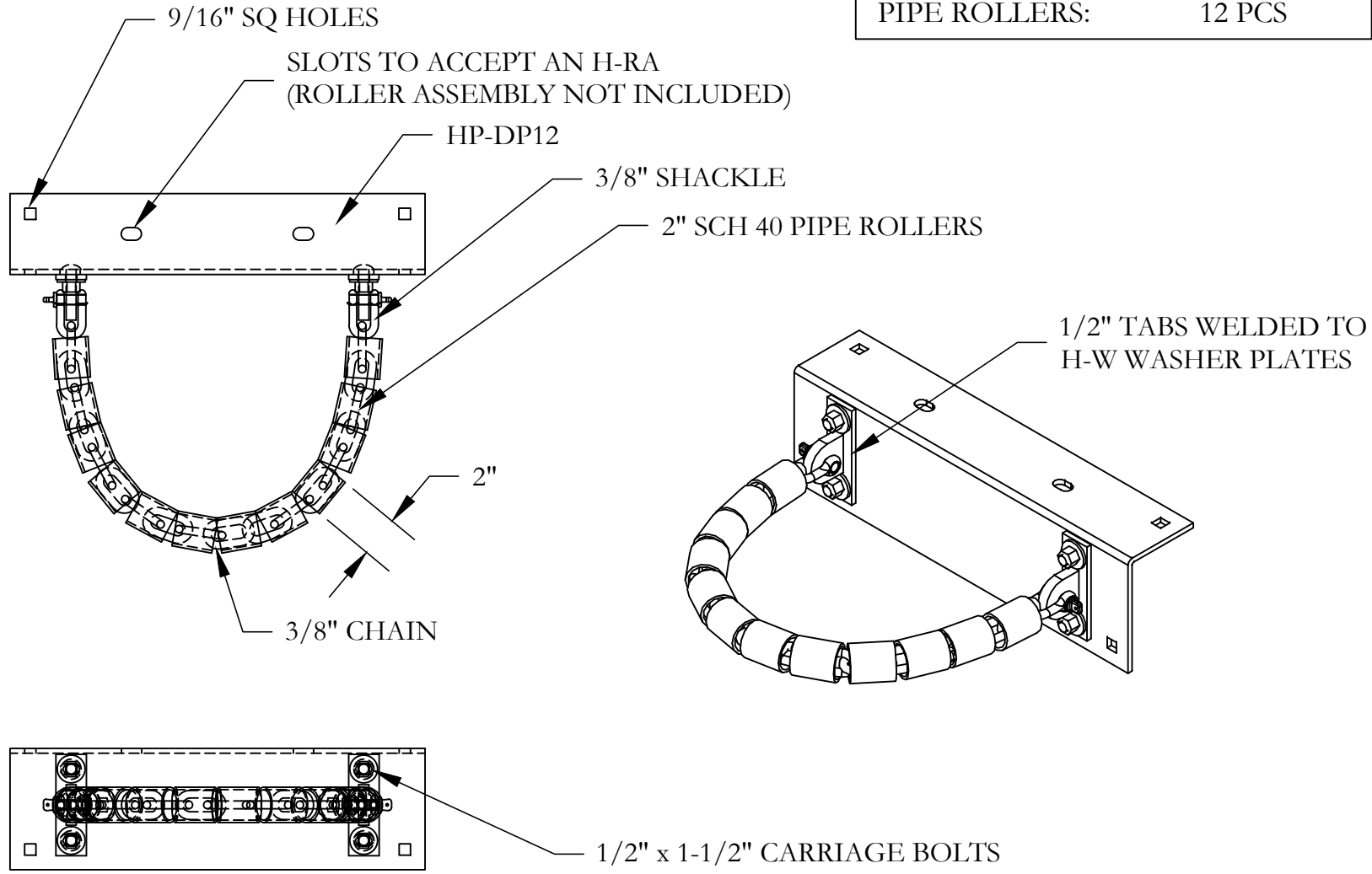


NOTE: ON LAYOUT DRAWINGS ALL MEASUREMENTS ARE TO THE FRAME MEMBERS. ACTUAL MEASUREMENTS MAY VARY BASED ON RUBRAIL, BUMPSBOARD, OR OTHER ACCESSORIES BEING USED. IF USING RUBRAIL ADD APPROX. 1 1/2". IF USING BUMPSBOARD ADD 1 1/2". THIS WILL AFFECT DISTANCE BETWEEN FINGERS BY -6". ON HINGE CONNECTIONS: ADD 3 1/4" BETWEEN SECTIONS FOR EVERY HINGE POINT. ALL OF THE ABOVE IS NOT CALCULATED IN ANY LAYOUT DRAWING. THIS DRAWING IS PROVIDED AS A COURTESY TO OUR CUSTOMERS. NON CUSTOMERS WILL BE CHARGED A SERVICE FEE OF \$75.00 AN HOUR. EFFECTIVE 1-20-2012

CHAIN LENGTH:	25 LINKS
PIPE ROLLERS:	12 PCS



MERCO MARINE
 60 MERCO ROAD
 WELLSBURG, WV 26070
 PHONE: (800)396-3726
 FAX: (304)737-3008



TITLE: CHAIN PILE GUIDES
 HP-DP12C
 PRINT DATE: 3/12/14 11:43 AM
 CREATED DATE: 3/12/14

SCALE: 1-1/2" = 1'-0"
 DRAWN BY: DAN OTTO
 APRVD BY: J. MERIWETHER

VISIT US ON THE WEB AT WWW.MERCOMARINE.COM

ALL DRAWINGS AND DETAILS ARE PROPERTY OF MERCO MARINE DO NOT COPY