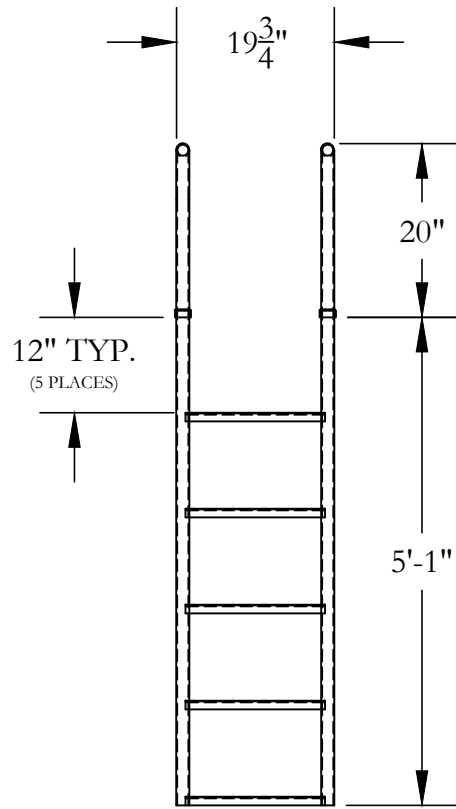
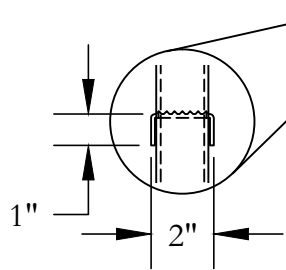
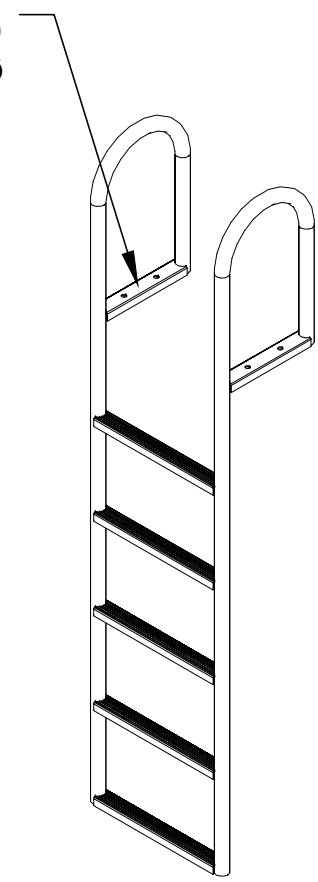
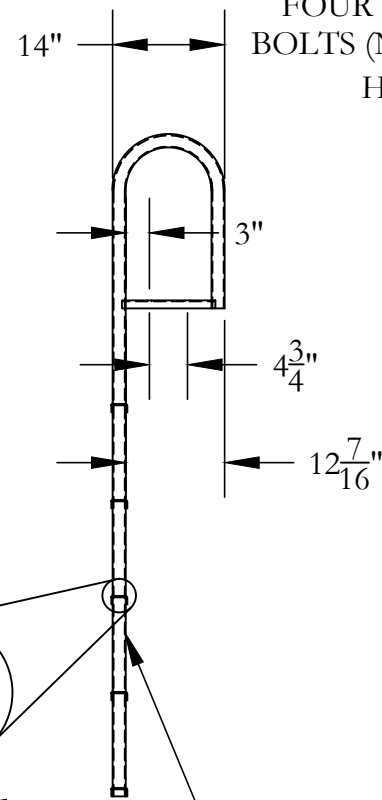


5 STEP ALUMINUM
STRAIGHT LADDER



BOLT IN PLACE USING
FOUR 1/2" THROUGH
BOLTS (NOT SUPPLIED)
HOLES ARE 9/16" Ø



NON SKID STEPS
1" x 2" x 1/8"
EXTRUDED
CHANNEL

1 1/4" SCH. 40
ALUMINUM TUBING

VISIT US ON THE WEB AT WWW.MERCOMARINE.COM

ALL DRAWINGS AND DETAILS ARE PROPERTY OF MERCO MARINE DO NOT COPY

MERCO MARINE
60 MERCO ROAD
WELLSBURG, WV 26070
PHONE: (800)396-3726
FAX: (304)737-3008



TITLE: L-5P		SCALE: 1/2" = 1'-0"
DRAWN BY: DAN OTTO		APRVD BY: J. MERIWETHER
PRINT DATE: 4/7/16 8:23 AM	CREATED DATE: 1/20/12	