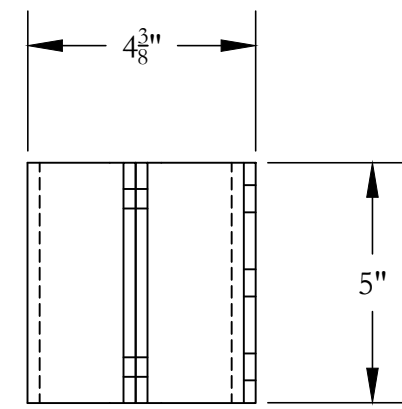
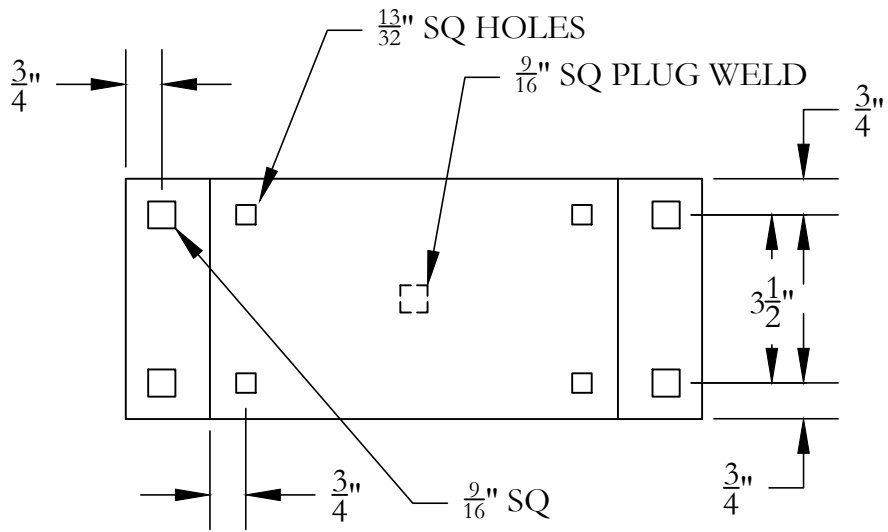
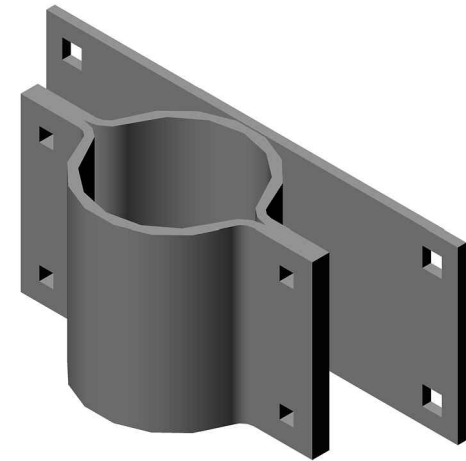
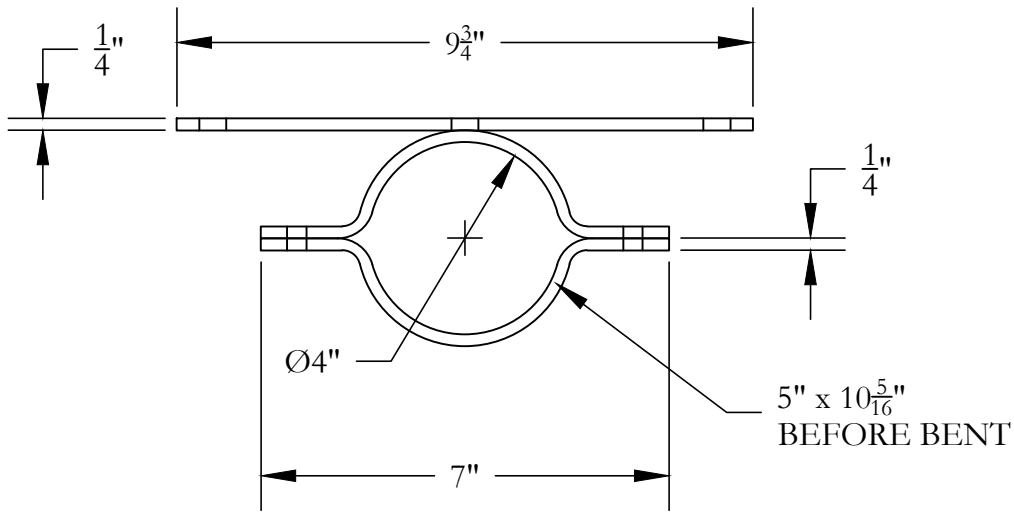


NOTE: ON LAYOUT DRAWINGS ALL MEASUREMENTS ARE TO THE FRAME MEMBERS. ACTUAL MEASUREMENTS MAY VARY BASED ON RUBRAIL, BUMPSBOARD, OR OTHER ACCESSORIES BEING USED. IF USING RUBRAIL ADD APPROX. 1/2". IF USING BUMPSBOARD ADD 1/2". THIS WILL AFFECT DISTANCE BETWEEN FINGERS BY -6". ON HINGE CONNECTIONS: ADD 3/4" BETWEEN SECTIONS FOR EVERY HINGE POINT. ALL OF THE ABOVE IS NOT CALCULATED IN ANY LAYOUT DRAWING. THIS DRAWING IS PROVIDED AS A COURTESY TO OUR CUSTOMERS. NON CUSTOMERS WILL BE CHARGED A SERVICE FEE OF \$75.00 AN HOUR. EFFECTIVE 1-20-2012



VISIT US ON THE WEB AT WWW.MERCOMARINE.COM

ALL DRAWINGS AND DETAILS ARE PROPERTY OF MERCO MARINE DO NOT COPY

MERCO MARINE
60 MERCO ROAD
WELLSBURG, WV 26070
PHONE: (800)396-3726
FAX: (304)737-3008



TITLE: P-4S		SCALE: 3" = 1'-0"
PRINT DATE: 11/12/14 1:40 PM		DRAWN BY: DAN OTTO
CREATED DATE: 1/3/13	APRVD BY: J. MERIWETHER	