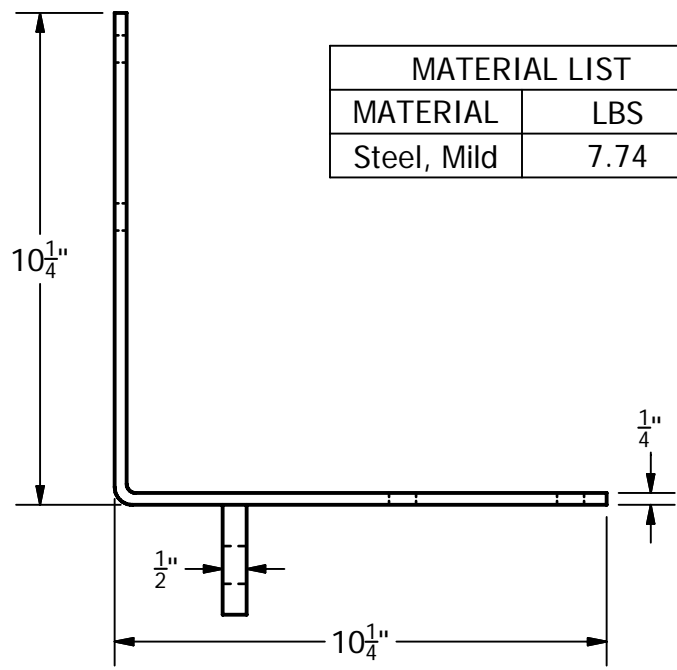
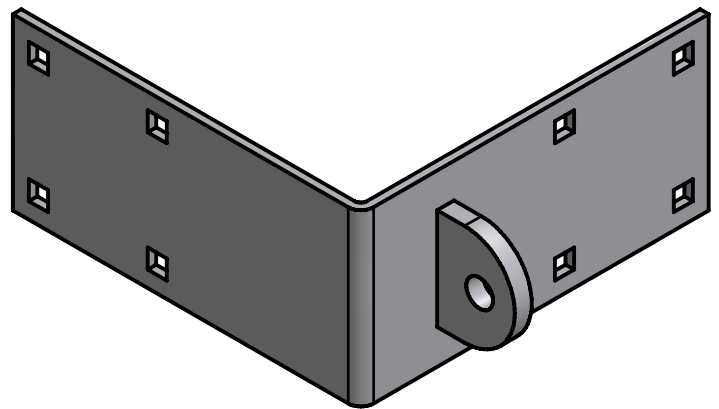
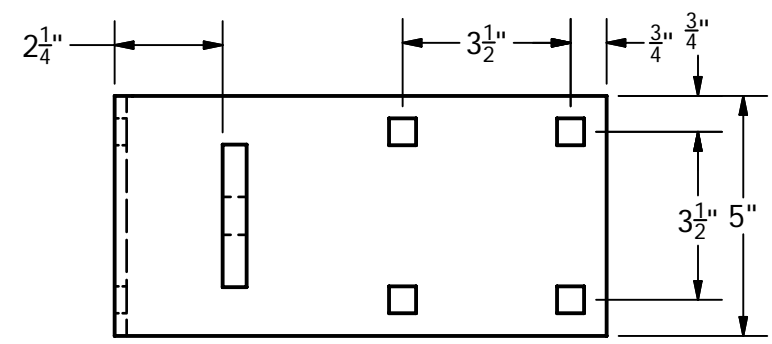


**DETAIL A**  
SCALE 1 / 2



MATERIAL LIST	
MATERIAL	LBS
Steel, Mild	7.74



VISIT US ON THE WEB AT [WWW.MERCOMARINE.COM](http://WWW.MERCOMARINE.COM)

ALL DRAWINGS AND DETAILS ARE PROPERTY OF MERCOR INC. DO NOT COPY

**MERCO MARINE**  
60 MERCOR ROAD  
WELLSBURG, WV 26070  
PHONE: (800)396-3726  
FAX: (304)737-3008



TITLE:	H-OCM.idw
DATE:	May-12-09 9:35am

SCALE:	
DRAWN BY:	D .OTTO
APRVD BY:	