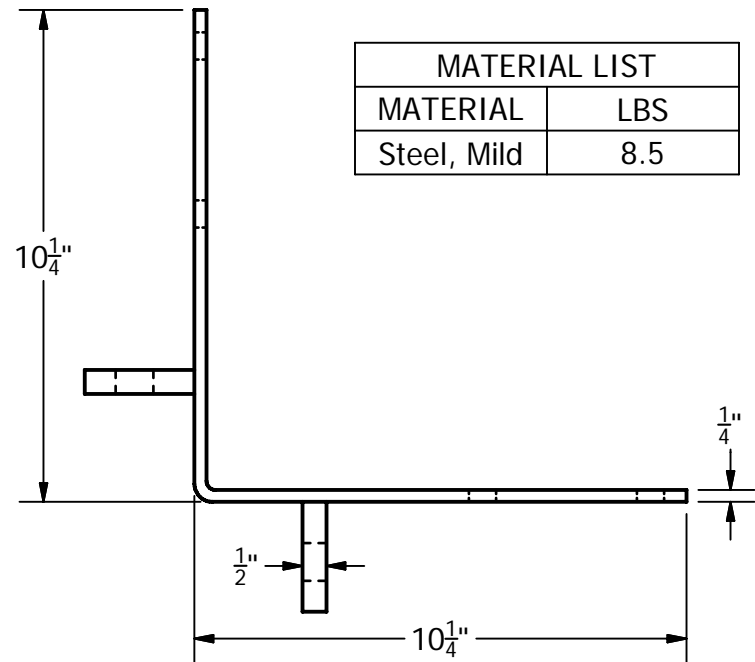
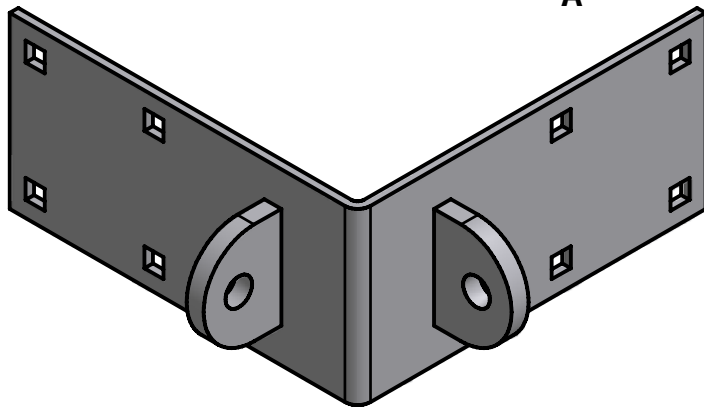
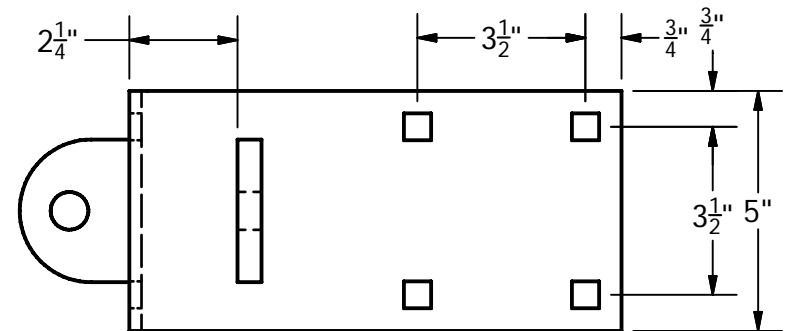


DETAIL A  
SCALE 1 / 2



MATERIAL LIST	
MATERIAL	LBS
Steel, Mild	8.5



VISIT US ON THE WEB AT [WWW.MERCOMARINE.COM](http://WWW.MERCOMARINE.COM)

ALL DRAWINGS AND DETAILS ARE PROPERTY OF MERCO INC. DO NOT COPY

MERCO MARINE  
60 MERCO ROAD  
WELLSBURG, WV 26070  
PHONE: (800)396-3726  
FAX: (304)737-3008



TITLE:	H-OCMM.idw	SCALE:	3" = 1'-0"
DATE:	May-18-09 10:46am	DRAWN BY:	D .OTTO
		APRVD BY:	J. MERIWETHER