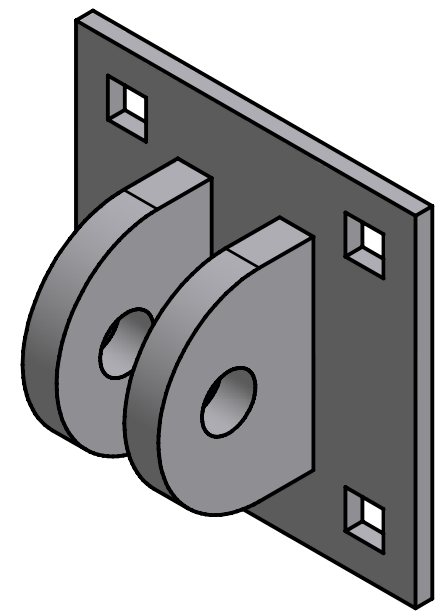


$\frac{9}{16}$ " □ HOLES



MATERIAL LIST (EST.)	
MATERIAL	LBS
Steel, Mild	3.21

VISIT US ON THE WEB AT WWW.MERCOMARINE.COM

ALL DRAWINGS AND DETAILS ARE PROPERTY OF MERCO INC. DO NOT COPY

MERCO MARINE
 60 MERCO ROAD
 WELLSBURG, WV 26070
 PHONE: (800)396-3726
 FAX: (304)737-3008



TITLE:	H-SF.idw
DATE:	May-12-09 10:56am

SCALE:	6" = 1'-0"
DRAWN BY:	D .OTTO
APRVD BY:	J. MERIWETHER