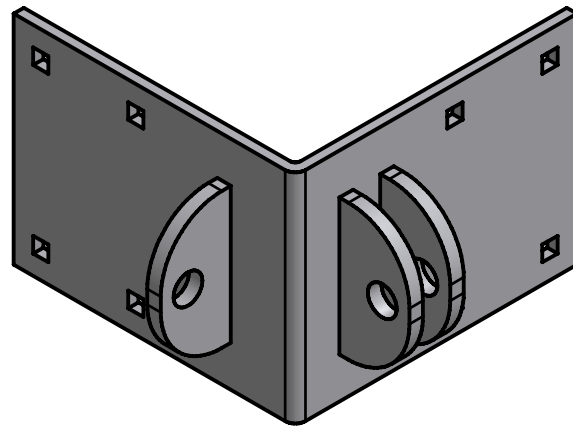
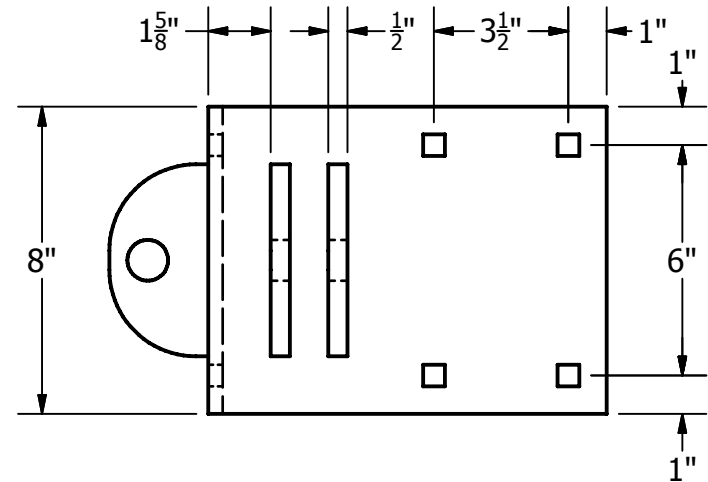
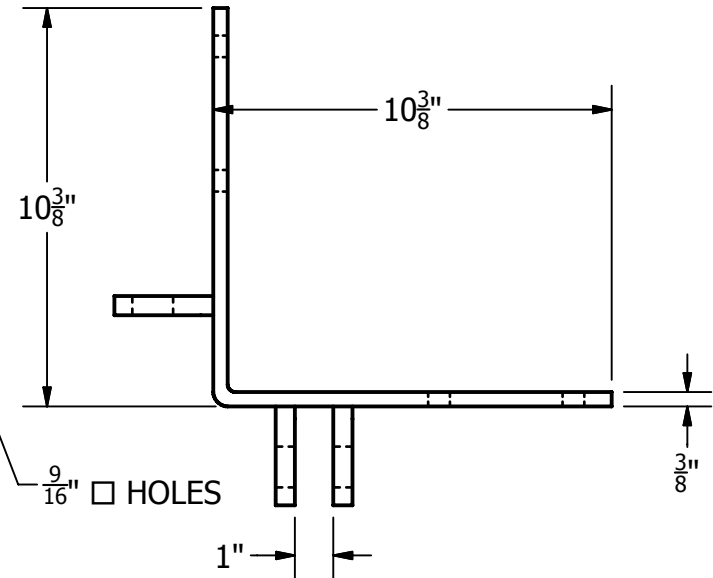
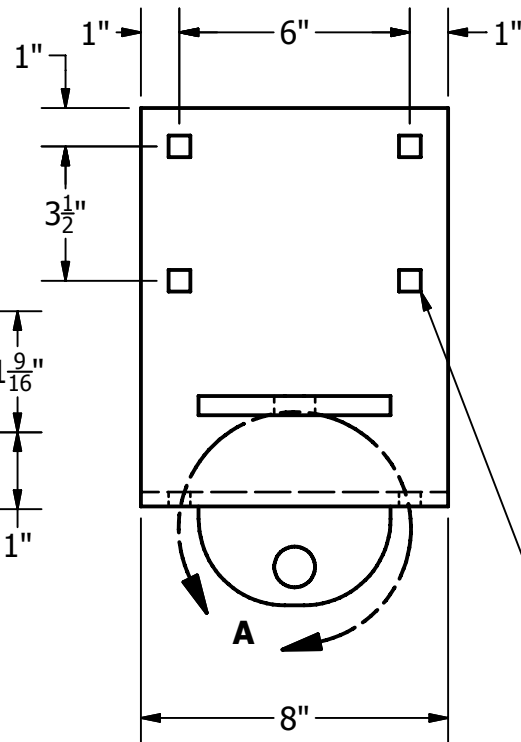


**DETAIL A**  
**SCALE 0.40 : 1**



MATERIAL LIST (EST.)	
MATERIAL	LBS
Steel, Mild	17.04
Steel, Mild	4.19

VISIT US ON THE WEB AT [WWW.MERCOMARINE.COM](http://WWW.MERCOMARINE.COM)

ALL DRAWINGS AND DETAILS ARE PROPERTY OF MERCO INC. DO NOT COPY

MERCO MARINE  
60 MERCO ROAD  
WELLSBURG, WV 26070  
PHONE: (800)396-3726  
FAX: (304)737-3008



TITLE:	HD-OCMF.idw
DATE:	Dec-29-09 2:25pm

SCALE:	1/5
DRAWN BY:	D.OTTO
APRVD BY:	J. MERIWETHER