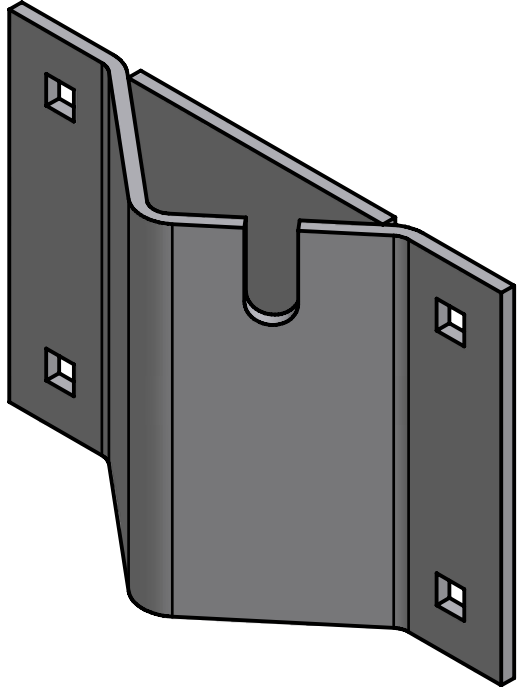
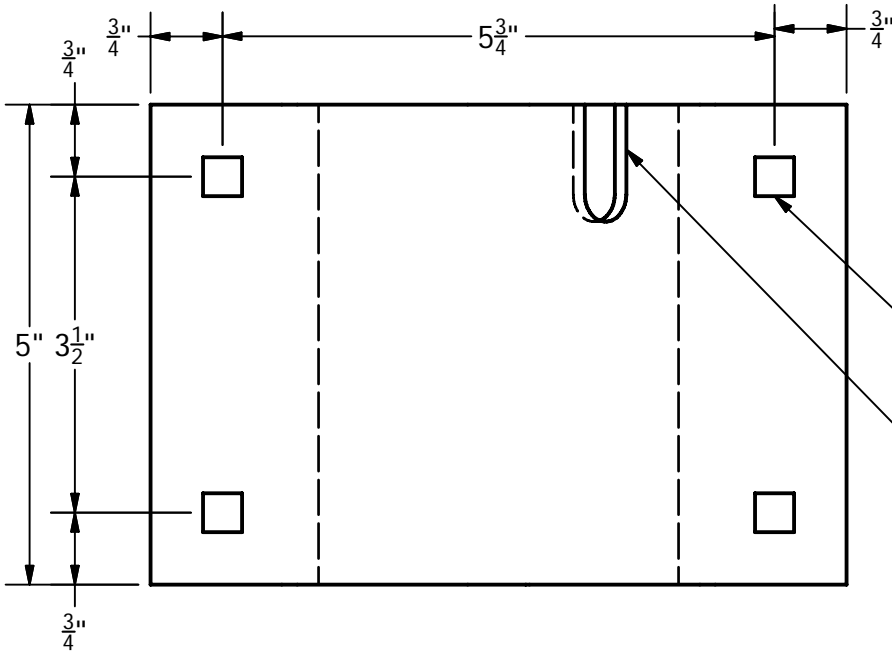
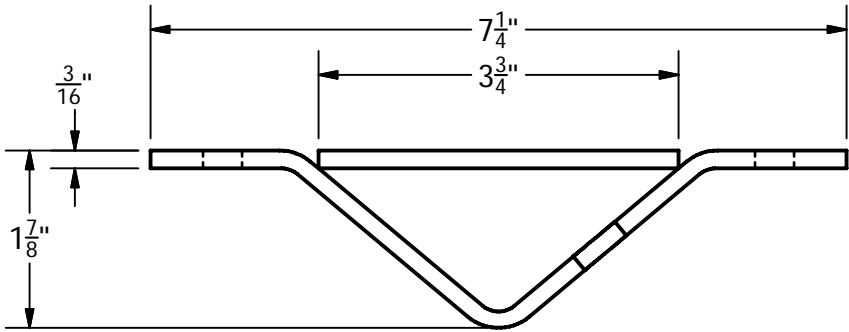


| MATERIAL LIST (EST.) | |
|----------------------|------|
| MATERIAL | LBS |
| Steel, Mild | 3.16 |



$\frac{13}{32}$ " \square HOLES

$1\frac{1}{4}$ " x $\frac{9}{16}$ " SLOT

VISIT US ON THE WEB AT WWW.MERCOMARINE.COM

ALL DRAWINGS AND DETAILS ARE PROPERTY OF MERCO INC. DO NOT COPY

MERCO MARINE
60 MERCO ROAD
WELLSBURG, WV 26070
PHONE: (800)396-3726
FAX: (304)737-3008



| | |
|--------|------------------|
| TITLE: | HL-CR.idw |
| DATE: | May-18-09 1:29pm |

| | |
|-----------|---------------|
| SCALE: | 3" = 1'-0" |
| DRAWN BY: | D .OTTO |
| APRVD BY: | J. MERIWETHER |