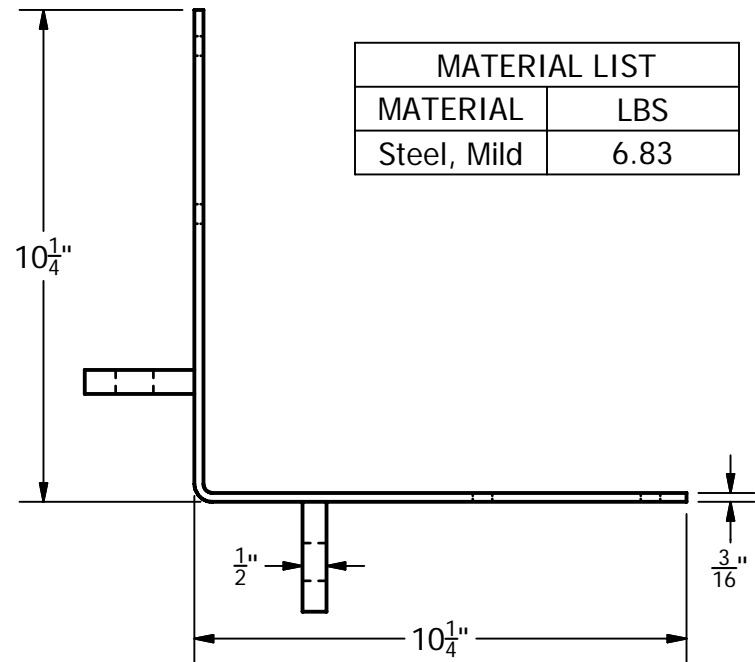
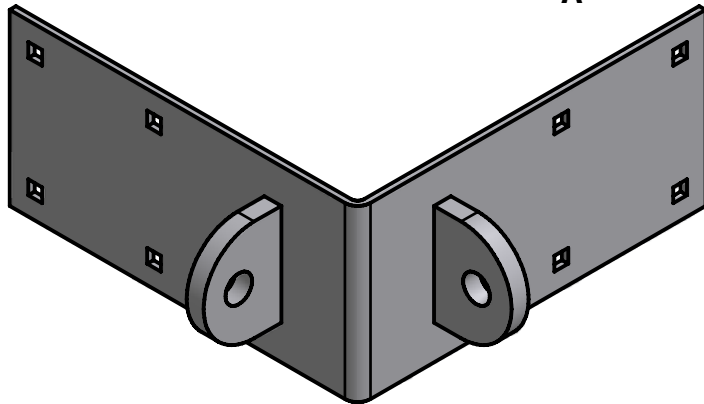
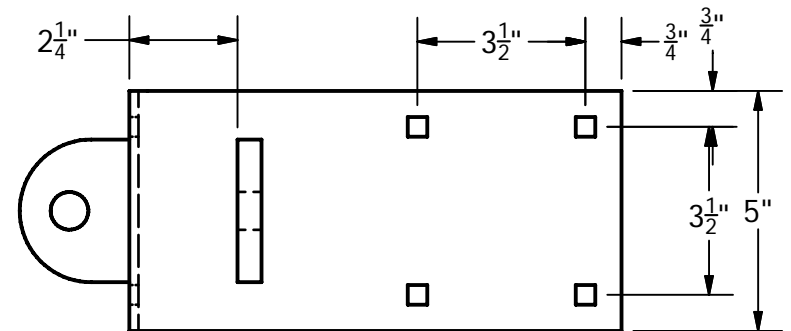


**DETAIL A
SCALE 1 / 2**



MATERIAL LIST	
MATERIAL	LBS
Steel, Mild	6.83



VISIT US ON THE WEB AT WWW.MERCOMARINE.COM

ALL DRAWINGS AND DETAILS ARE PROPERTY OF MERCO INC. DO NOT COPY

MERCO MARINE
 60 MERCO ROAD
 WELLSBURG, WV 26070
 PHONE: (800)396-3726
 FAX: (304)737-3008



TITLE:	HL-OCMM.idw	SCALE:	3" = 1'-0"
DATE:	May-18-09 10:48am	DRAWN BY:	D .OTTO
		APRVD BY:	J. MERIWETHER