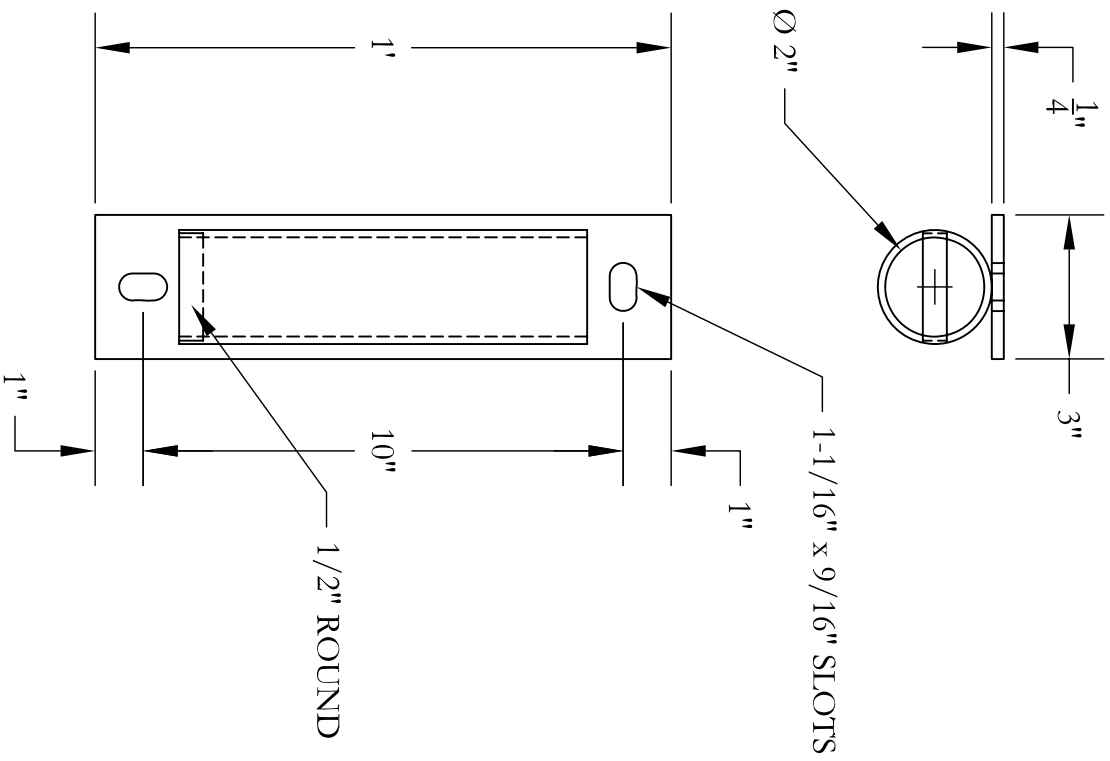
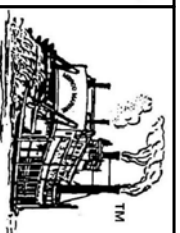


NOTE: ON LAYOUT DRAWINGS ALL MEASUREMENTS ARE TO THE FRAME MEMBERS. ACTUAL MEASUREMENTS MAY VARY BASED ON RUBRAIL, BUMPROARD, OR OTHER ACCESSORIES BEING USED. IF USING RUBRAIL ADD APPROX. 1/4" IF USING BUMPROARD ADD 1/4". THIS WILL AFFECT DISTANCE BETWEEN FINGERS BY .6" ON HINGE CONNECTIONS; ADD 3/4" BETWEEN SECTIONS FOR EVERY HINGE POINT. ALL OF THE ABOVE IS NOT CALCULATED IN ANY LAYOUT DRAWING. THIS DRAWING IS PROVIDED AS A COURTESY TO OUR CUSTOMERS. NON CUSTOMERS WILL BE CHARGED A SERVICE FEE OF \$75.00 AN HOUR. EFFECTIVE 5.20.2010



MERCO MARINE
 60 MERCO ROAD
 WELLSBURG, WV 26070
 PHONE: (800)396-3726
 FAX: (304)737-3008



VISIT US ON THE WEB AT WWW.MERCOMARINE.COM

ALL DRAWINGS AND DETAILS ARE PROPERTY OF MERCO MARINE DO NOT COPY

TITLE:	TF-PH		
SCALE:	3" = 1'-0"		
DRAWN BY:	DAN OTTO		
APPROV BY:	J. MERIWETHER		
PRINT DATE:	10/27/11 12:43 PM	CREATED DATE:	3/17/08